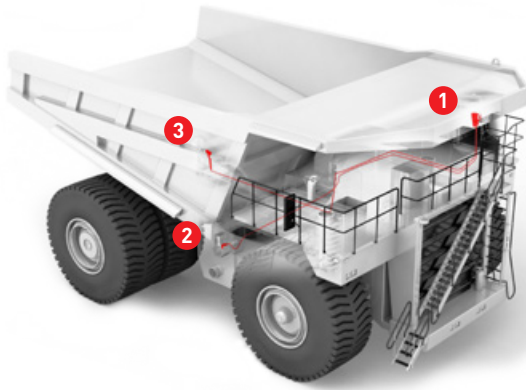


The WK60 dumper scale DW-2



1 Weighing electronics



2 Pressure sensors



3 Proximity switches

The right weighing solution for any dumper

With the scales for rigid frame dumpers, PFREUNDT offers you the perfect weighing solution for almost all types - manufacturer-independent. During unloading, the weight is determined by pressure sensors via the working pressure in the tilting hydraulics for dynamic weighing in the working process.

Overview of functions

- Approved for legal metrology and conformity assessed by PFREUNDT
- Simple and intuitive operation through touch display
- Comprehensive and customizable master and weighing data management
- Exact activity recording
- Optimum capacity utilisation
- Registration of overloads
- Reliable definition of the weighing range
- Oil pressure sensor with overload protection

Scope of delivery

- WK60 electronics
- 2 pressure sensors
- 2 proximity switches
- 1 antenna

Accessories

- Printer
- Weighing tickets and weighing ticket box

Start your digital future with PFREUNDT!



We create the connections and interfaces you need, e.g. via GPS, mobile radio, WLAN and Bluetooth.



Digital weighing data – available in real time. Try the PFREUNDT Web Portal free of charge!

www.pfreundt.de ➔

Functional scope

Dumper scale DW-2



WK60

General information	
Dimensions	206 x 145 x 72 mm
Weight incl. holder	approx. 1,8 kg
Supply voltage	9 V to 36 V dc
Protection class according to ISO20653:2013-02	IP42/IP5K2
Display/operation	7" Touch-Display
Resolution	800 x 480 pixels
Weighing functions	
Dynamic weighing	✓
Number weighing data	1.000.000
Enter target weight	✓
Total statistics	✓
Weighing data statistics	✓
Order management only through Web Portal */**	✓
Data management	
Weighing data management with PFREUNDT Web Portal	[✓]
Number user administration	free
Number master data	10.000
Create summary document	✓
Renaming of master data types	✓
Extension receipt number	✓
Linking of master data types	✓
Exchange of data	
Mobile network only with Web Portal */**	✓
WLAN only with Web Portal */**	✓
GPS only with Web Portal */**	✓
USB connection	✓
Serial protocol	✓
Printer connection	pPrinter + printer selection

*additional costs for Web Portal **SIM card required: additional costs for SIM card

✓ standard [✓] optional – not available

PFREUNDT service



Qualified consulting



Own installation teams



On-site calibration service



Area-wide customer service